






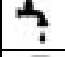











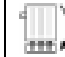



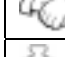






## aqua speed 1100w



	300 bar
	990 km/h
	50 - 1440 l/h
	18 kW / 15 kW, 1450 u/min
	400V / 50 Hz / 32 A
	15 kW / 1470 u/min
	060
	*
	100%
	24 months
	200 kg
	1085 x 695 x 750 mm
	78 dB (A) 1m
	g387

	500 bar
	1100 km/h
	50 - 900 l/h
	18 kW / 15 kW, 1450 u/min
	400V / 50 Hz / 32 A
	15 kW / 920 u/min
	030
	*
	100%
	24 months
	200 kg
	1085 x 695 x 750 mm
	79 dB (A) 1m
	g386

